



InDiUp



Smart solutions for kitchen cabinets

The cabinet lift allows people with difficulty reaching upper kitchen cupboards to live an independent life. The cabinet can be raised and lowered with the push of a button or remote control.

InDiUp is delivered in only four parts for easy assembly and installation directly into your existing cabinet. It can even be mounted above the kitchen tap. With its sturdy, stable design, the lift holds plates and cups in place but within reach.

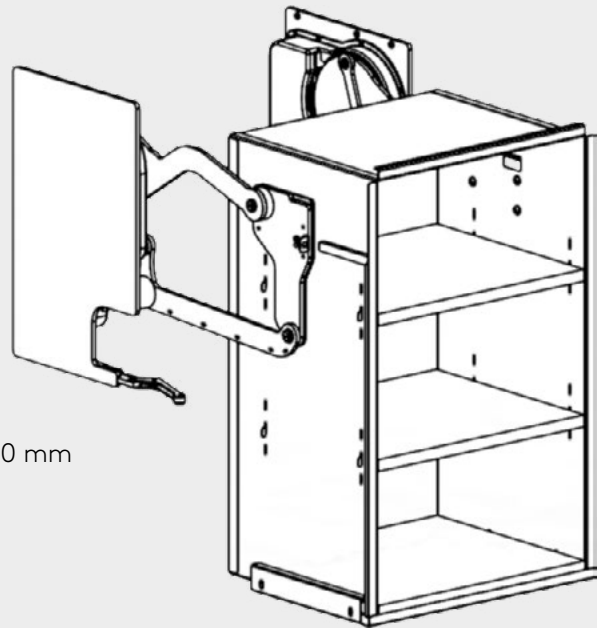
InDiUp lifts are CE approved and equipped with the latest safety system technology.



Easy installation
in any upper
cabinet

InDiUp – Integrated electrical shelf module for upper cabinets

- ✓ Flexible shelf height
- ✓ Integrated electrical auto-stop
- ✓ Plug & Play wiring
- ✓ Keep your existing cabinet bottoms
- ✓ Can be mounted over kitchen faucet
- ✓ Keep your existing under-cabinet lighting
- ✓ Durable steel arms and motors
- ✓ Easy to use



Details

Depth: 255 mm or 305 mm

Upper cabinets width fitting: 500 mm – 1000 mm

Max load capacity: 40 kg

Accessories

Remote control

Integrated panel for height adjustment

Accessibility, safety & freedom

Barrier free innovation with 30+ years of experience, designing and manufacturing customised solutions for individual needs, straight from the heart of Sweden.



Moveum AB
+46 23 79 22 00
info@moveum.se
www.moveum.se